

ORDER PICKER SECURITY CAMERA

Provides complete visibility of operators, equipment, and work areas, enhancing safety, efficiency, and theft prevention.

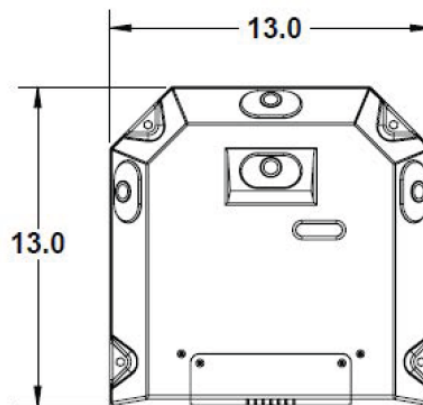
The Order Picker Security Camera offers comprehensive coverage of the operator, machine, and the surrounding work area, ensuring thorough surveillance. This solution enables businesses to enhance employee safety, productivity, and minimize theft risks.

The universal ceiling mount is tailored to accommodate most order pickers on the market, offering versatility and straightforward installation.

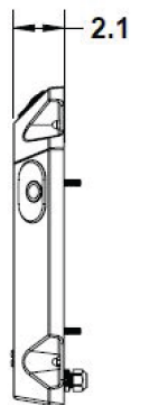


FEATURES

- Provides 360 view of operator, machine controls and surrounding work area for complete surveillance
- Four 2MP Cameras provide High-Definition 1080p Video for investigations
- 500 Gigabytes of On-Board Video Storage included
- Wide Operating Voltage Range 24-72 VDC
- Universal Ceiling Mount, Fits Most Order Pickers on the Market



WEIGHT: 10lbs



UNITS: INCHES

PROFESSIONAL SERVICES

- Expert support for location design and seamless implementation, ideal for large-scale deployments.
- Installation guides and specifications
- North America customer support



ABOUT 3Si

- **53 years** of experience and specialized knowledge in the **Security field**
- **24/7 US-based support**
- **Long-term relationships** with the industry, built on **trust and satisfaction**
- Partnered with over **10,200 law enforcement agencies**
- Over **19,000 criminals** apprehended and **\$150M** in assets recovered

OUR END-TO-END SOLUTION



Camera & Video
Hardware

WREN
BY **3Si**

+



GPS
Tracking

COVERT
BY **3Si**

+



Video Management
Systems

SURVEILL
BY **3Si**



MODEL NUMBER FSC-HAPNM9000-VS1	
Camera Specifications	
Video Resolutions	1920x1080, 1280x1024, 1280x960, 1280x720, 1024x768, 800x600, 800x448, 720x576, 720x480, 640x480, 640x360, 320x240
Max Frame Rate	H.265/H.264: 2MP 30fps, MJPEG:30fps
Lenses	
Imaging Device	1/2.8" 2MP CMOS
Min. Illumination	Color: 0.045Lux (F2.0, 1/30 sec)
Focal Length (Zoom Ratio)	2.4 mm fixed focal
Max Aperture	F2.0
Angular Field of View	H: 138, V: 73, D: 165
Support Features	
Camera Title	Displays up to 85 characters
Day and Night	Auto (Electrical)
Backlight Compensation	BLC, HLC, WDR, SDR
Wide Dynamic Range	120dB
Digital Noise Reduction	SSNR V
Digital Image Stabilization	Support
Motion Detection	8ea, 8 point polygonal zones
Privacy Masking	32ea, polygonal zones
Gain Control	Low / Middle / High
White Balance	ATW / AWC / Manual / Indoor / Outdoors
Electronic Shutter Speed	Minimum / Maximum / Anti-flicker (2~1/12,000 sec)
Analytics	Defocus detection, Directional detection, Motion detection, Enter/Exit Tampering, Virtual Line
Alarm I/O	Input 2 ea / Output 2 ea
Alarm Trigger	Analytics, Network disconnect, Alarm Input
Alarm Events	SD/SDHC/SDXC at event triggers, Alarm output

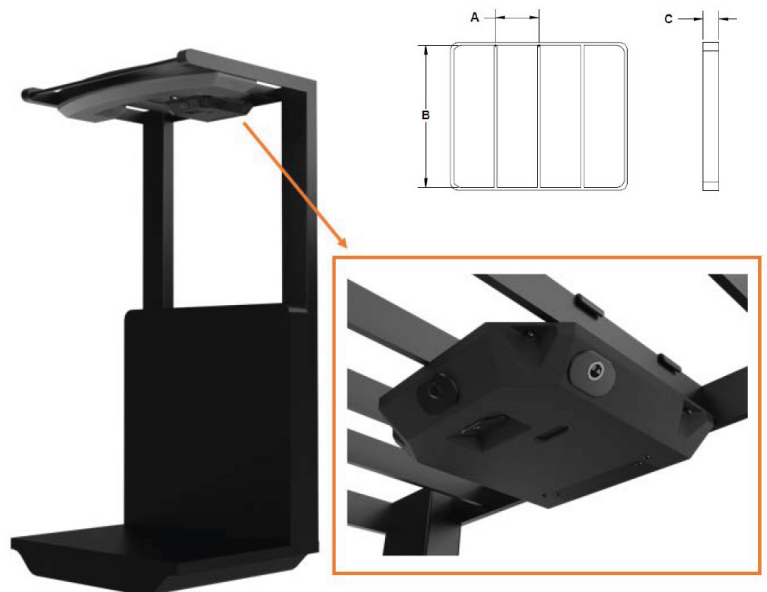
MODEL NUMBER FSC-HAPNM9000-VS1	
General	
Web Page Language	English, Korean, Chinese, French, Italian, Spanish, German, Japanese, Russian, Swedish, Portuguese, Czech, Polish, Turkish, Dutch, Hungarian, Greek
Edge Storage	Micro SD/SDHC/SDXC 2 Slots [256GB X 2]
Memory	4GB RAM 512MB Flash
Network/Security	
Ethernet	RJ-45(10/100/1000BASE-T)
Protocol	IPv4, IPv6, TCP/IP, UDP/IP, RTP(UDP), RTP(TCP), RTCP, RTSP, NTP, HTTP, HTTPS
Security	SSL/TLS, DHCP, FTP, SMTP, ICMP, IGMP, SNMPv1/v2c/v3(MIB-2), ARP, DNS, DDNS, QoS, PIMSM, UPnP, Bonjour, LLDP
Environment	
Operating Temperature & Humidity	-10°C ~ +45°C (+14°F~+113°F)/ Less than 90% RH (Non Condensing)
Storage Temperature & Humidity	-50°C ~ + 60°C (-58°F ~ +140°F)/ Less than 90% RH
IP Rating	IP40 (For Indoor Use Only)
Electrical	
Input Voltage	24V-27V
Power Consumption	DC: Maximum 19.00W, Typical: 14.00W
Mechanical	
Product Dimension	13" x 13" x 2"
Weight	10 pounds
Construction Material	
Frame	Steel (Black Textured Powdercoat)
Mount	Steel (Black Textured Powdercoat)
Cover	Polystyrene Cover (PS Black)

MOUNTING COMPATABILITY

The Wren By 3Si Order Picker Security Camera is equipped with an "X", "Y", "Z" adjustable ceiling mount that attaches to grid style roof structures and is compatible with most order pickers on the market.

Use the chart below to verify compatibility with your machine.

MODEL NUMBER FSC-HAPNM9000-VS1	
Mount Compatibility	
A	Range of 4.5 to 6.25 inches
B	14 inches or greater
C	2± .25 inches



71-0100-007
Rev A 11/24

